



Model

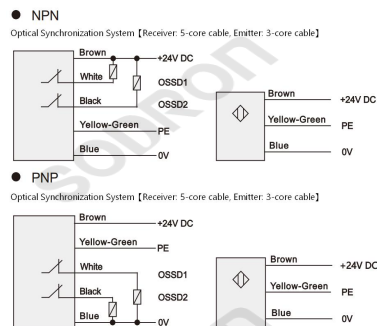
① ② ③ ④ ⑤
PS2-20R/T-05B□C-□E

- ① Type: PS2
- ② Beam pitch:20R/T=20
- ③ Sensing range:05B=5m
- ④ Output: N=NPN, P=PNP
- ⑤ Optical axis: 4=4optical axis

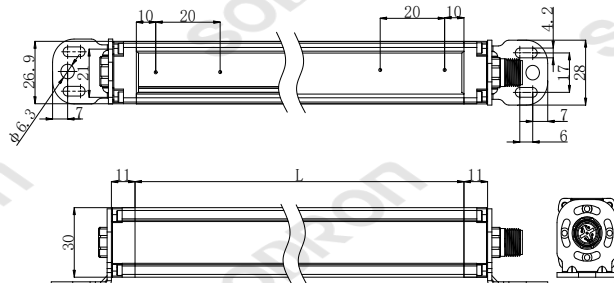
Features

- Dual output
- Optical Synchronization
- IEC IP65

Connection



PS2-20 connector



Number of Optical axis	8	12	16	20	24	28	32	36	40	44	48
Sensing Area	160	240	320	400	480	560	640	720	800	880	960

Technical parameter

Sensing distance	0.1~5m
Output mode	NPN-NC/PNP-NC
Method	Optical Synchronization
Response time	< 20ms
Light source	Infrared light 850nm
Power supply	10~30VDC
Beam pitch	20mm
Protection length	L (Above sheet)
Current consumption	< 70mA
Circuit protection	Reverse polarity, overload, short circuit
Load current	100mA
Indicator light	Operation indicator: Red LED Stability indicator: Green LED
Connection	Connector (cable 2m)
Ambient temperature	Work:-10°C~+55°C Store: -25°C~+60°C
Ambient humidity	Work: 35~85%RH Store:35~95%RH
Ambient illumination	Sunlight: 10,000Lx Incandescent lamp: 3,000Lx
Anti-vibration	10~55Hz, amplitude 1.5mm for 2H in X,Y,Z directions
Insulation resistance	> 20MΩ(between current-carrying part and case)
Protection degree	IEC IP65
Installing mode	Standard mounting bracket, bottom groove installation, standard T-shaped screw installation
Housing	Aluminum
End cover	PA66
Light filter	PC